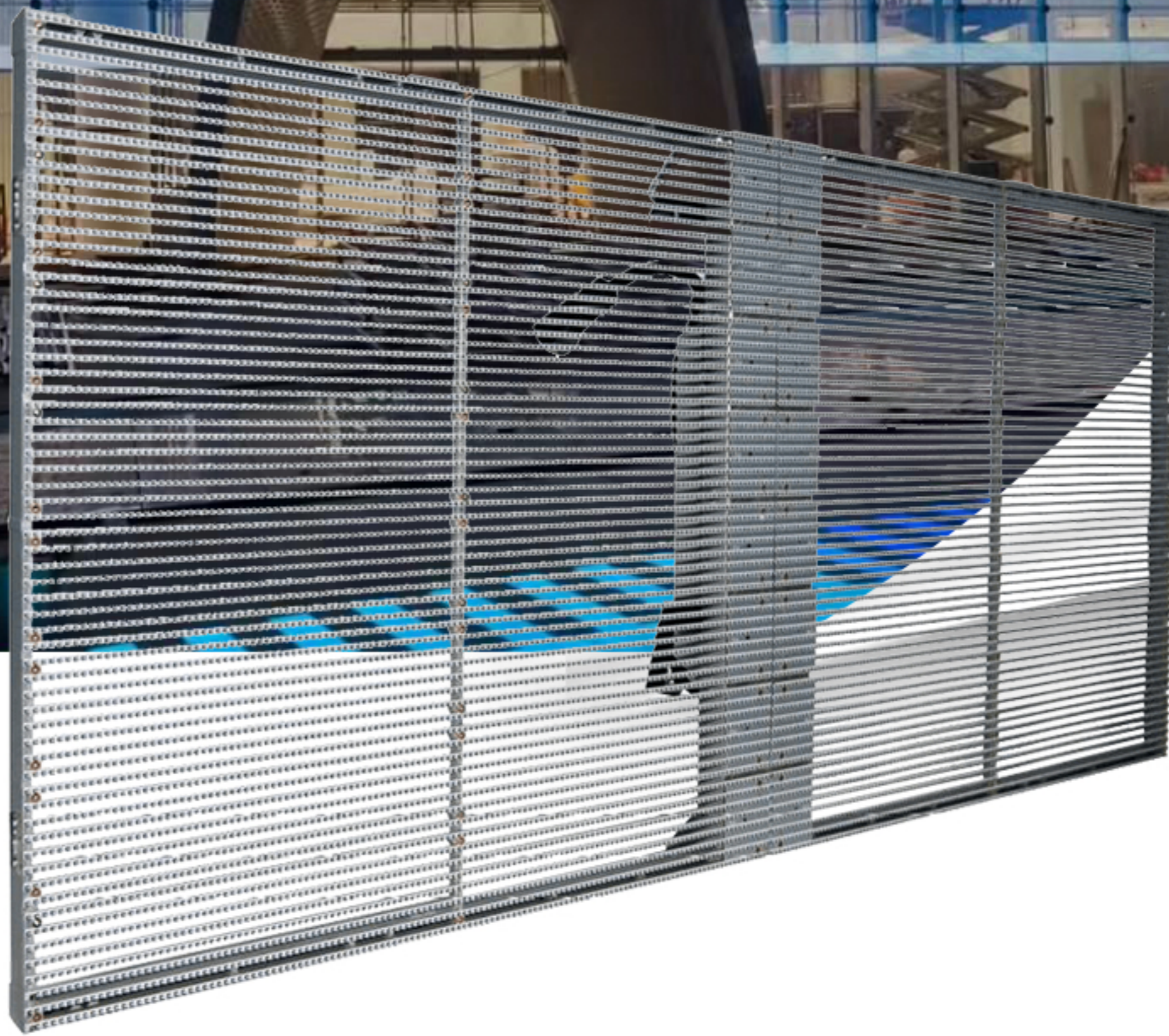


Transparent LED display-Crystal

New visual experience



High transparent



Light weight

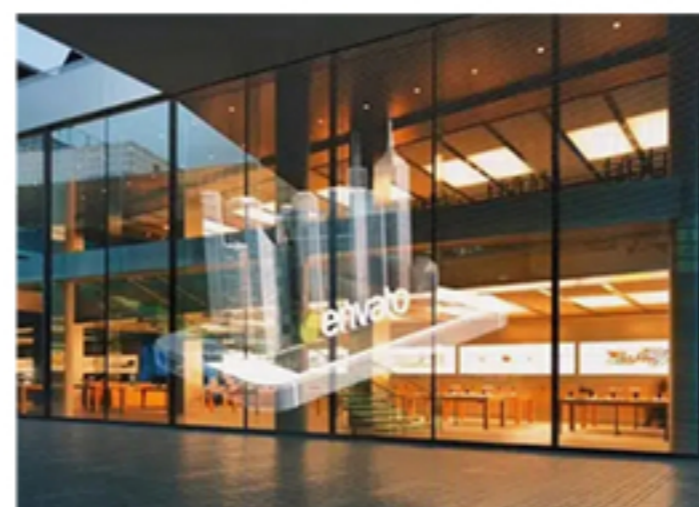


Lower power consumption



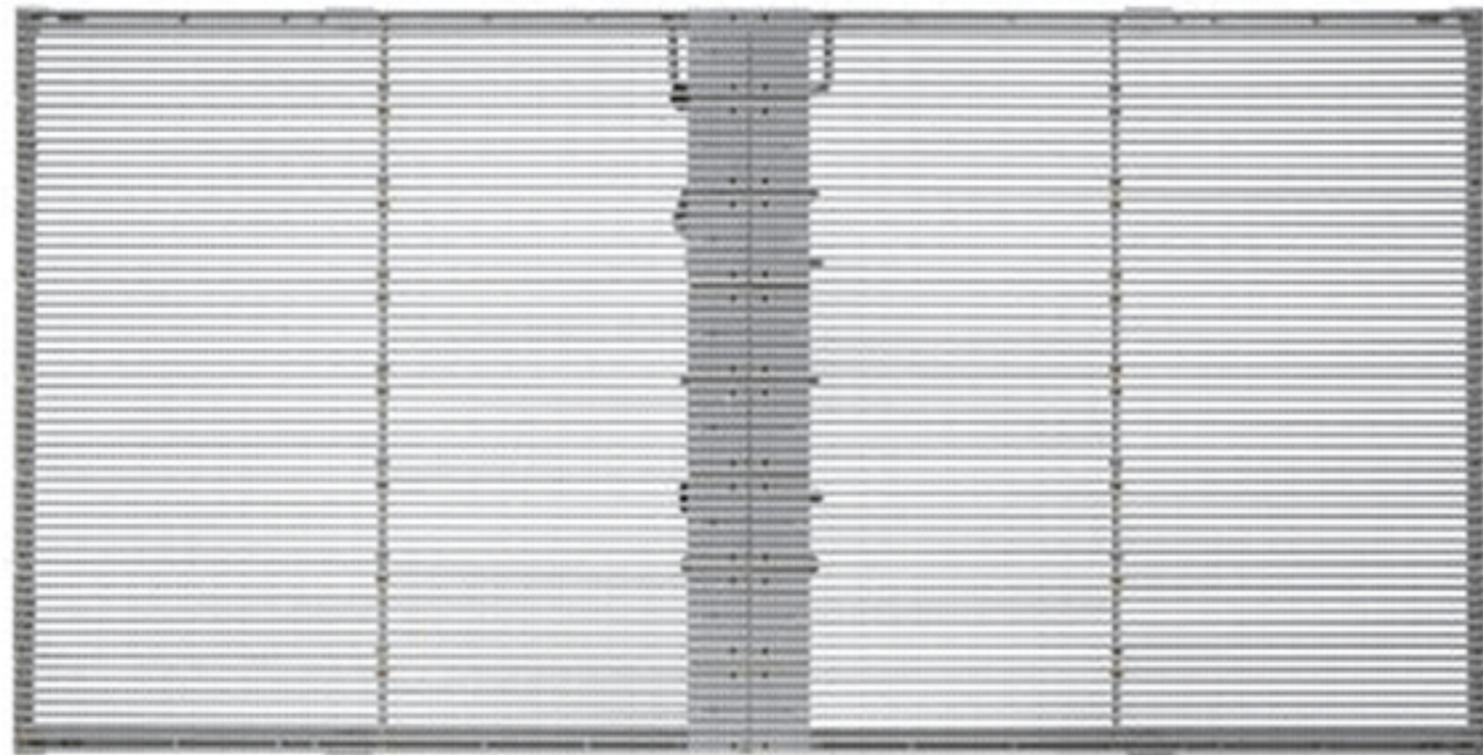
Fix&rental dual use

► Various applications



Store display window/Business activities/Exhibition/Entertainment venues

Maintenance and Design



**Flexible
application**



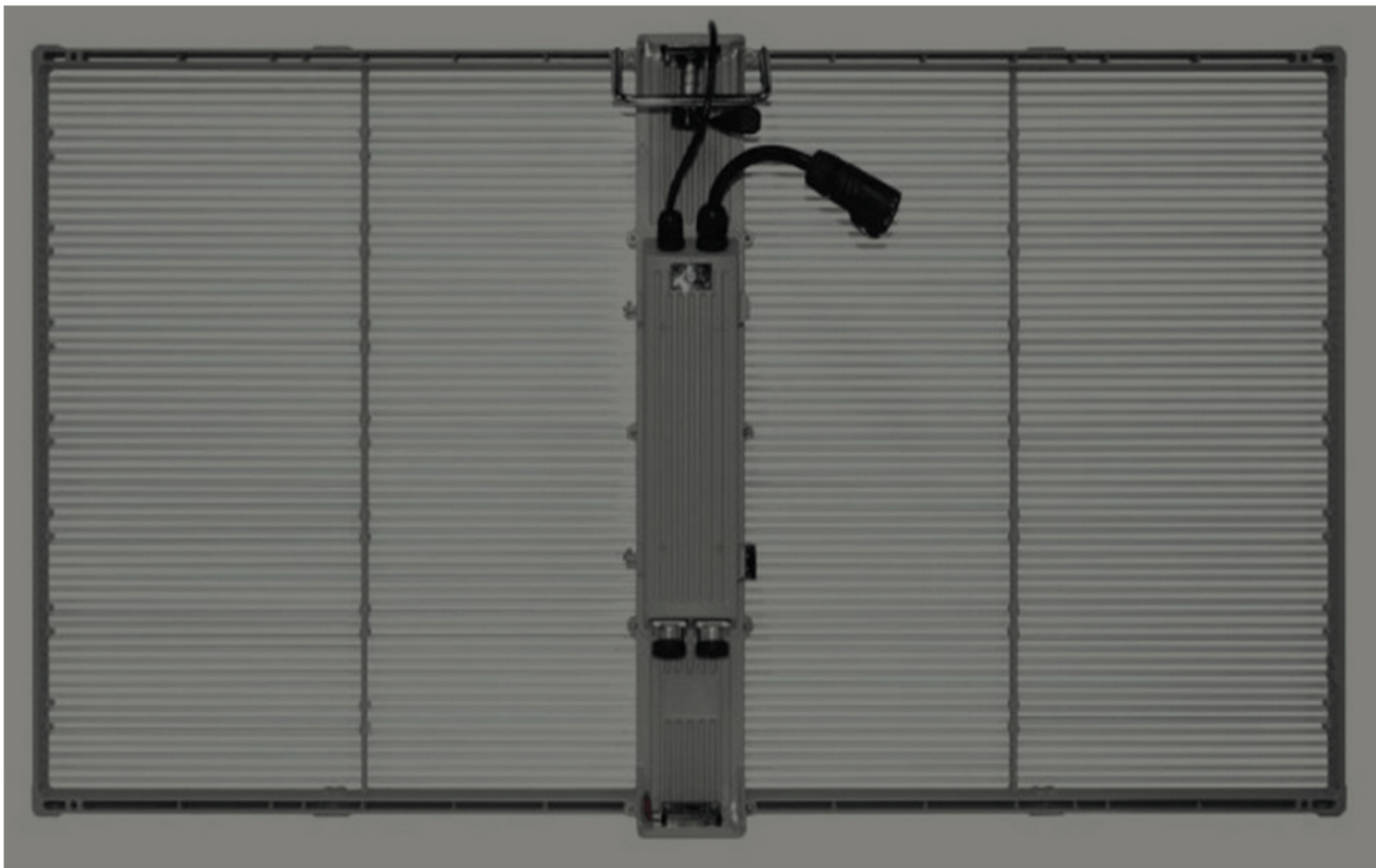
**Stable
and durable**



Cut costs

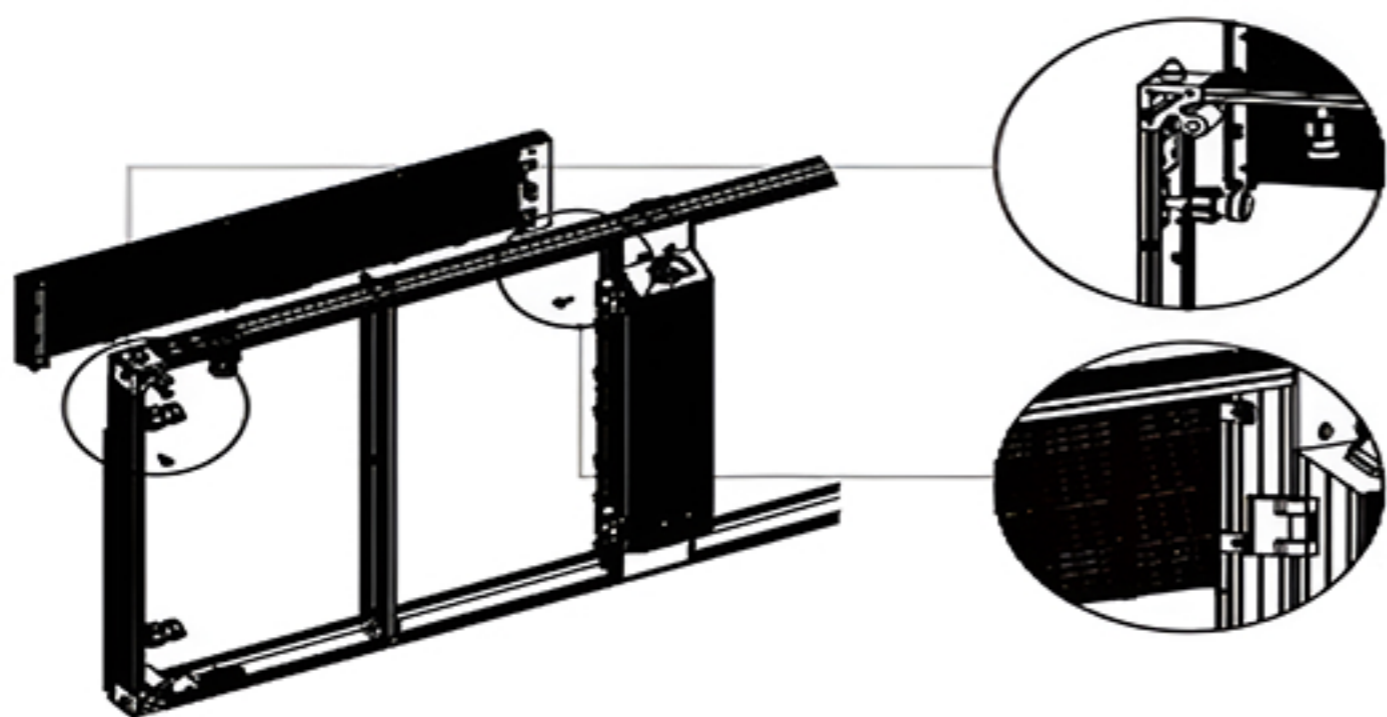


**Easy
maintenance**



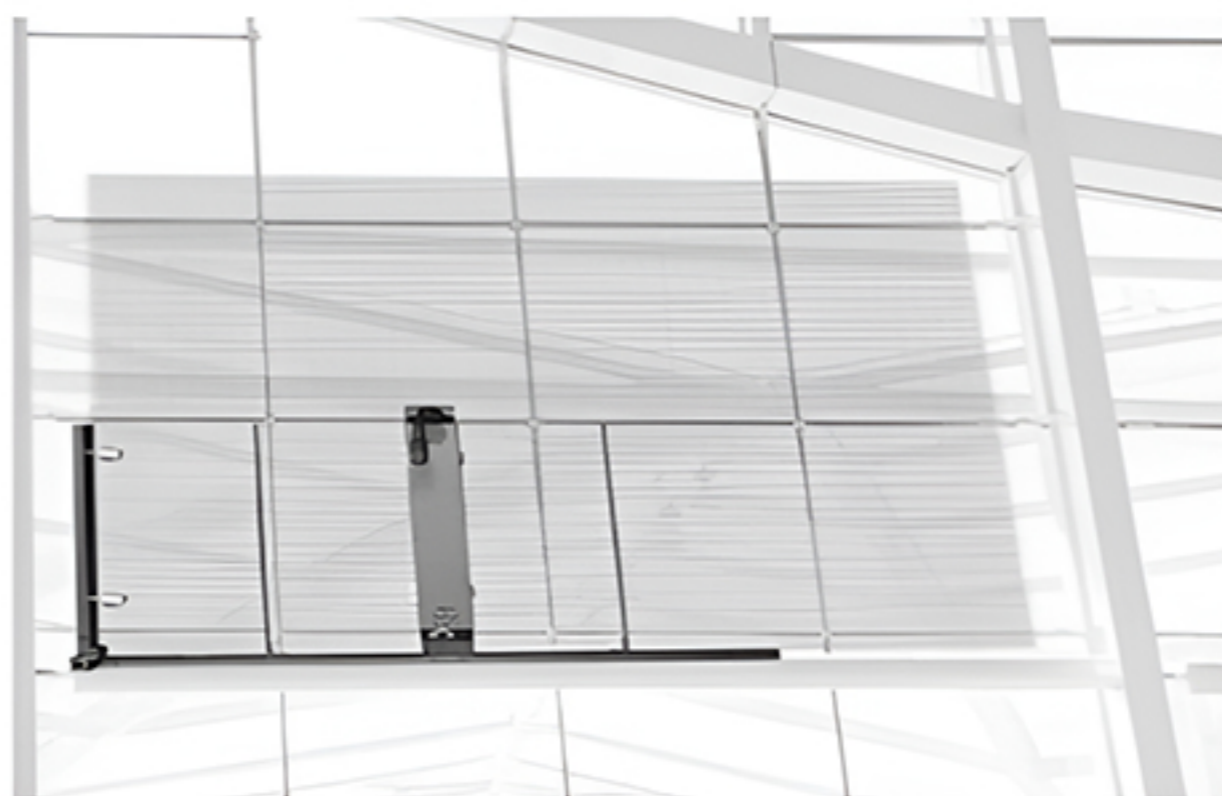
Maintenance and Design

Front and Rear Services:



Easy maintenance:
Only single light bar needs to be replaced when a fault occurs

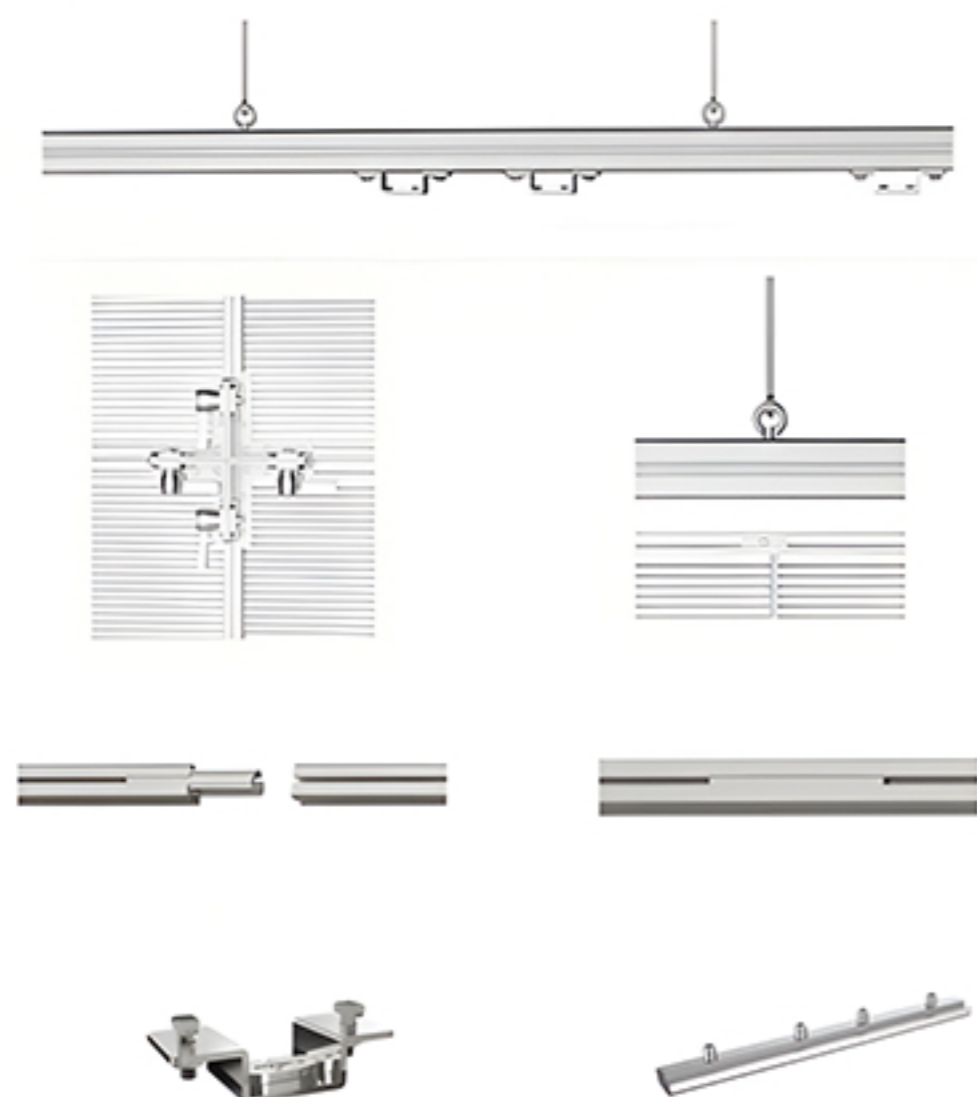
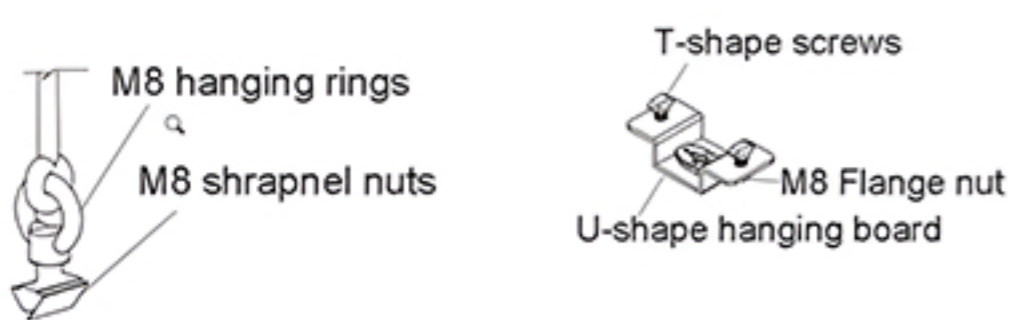
Quick customization: The height and width can be flexibly changed according to the actual situation.



Design and Maintenance

More creative space and visual effects enhance the audience's immersion.

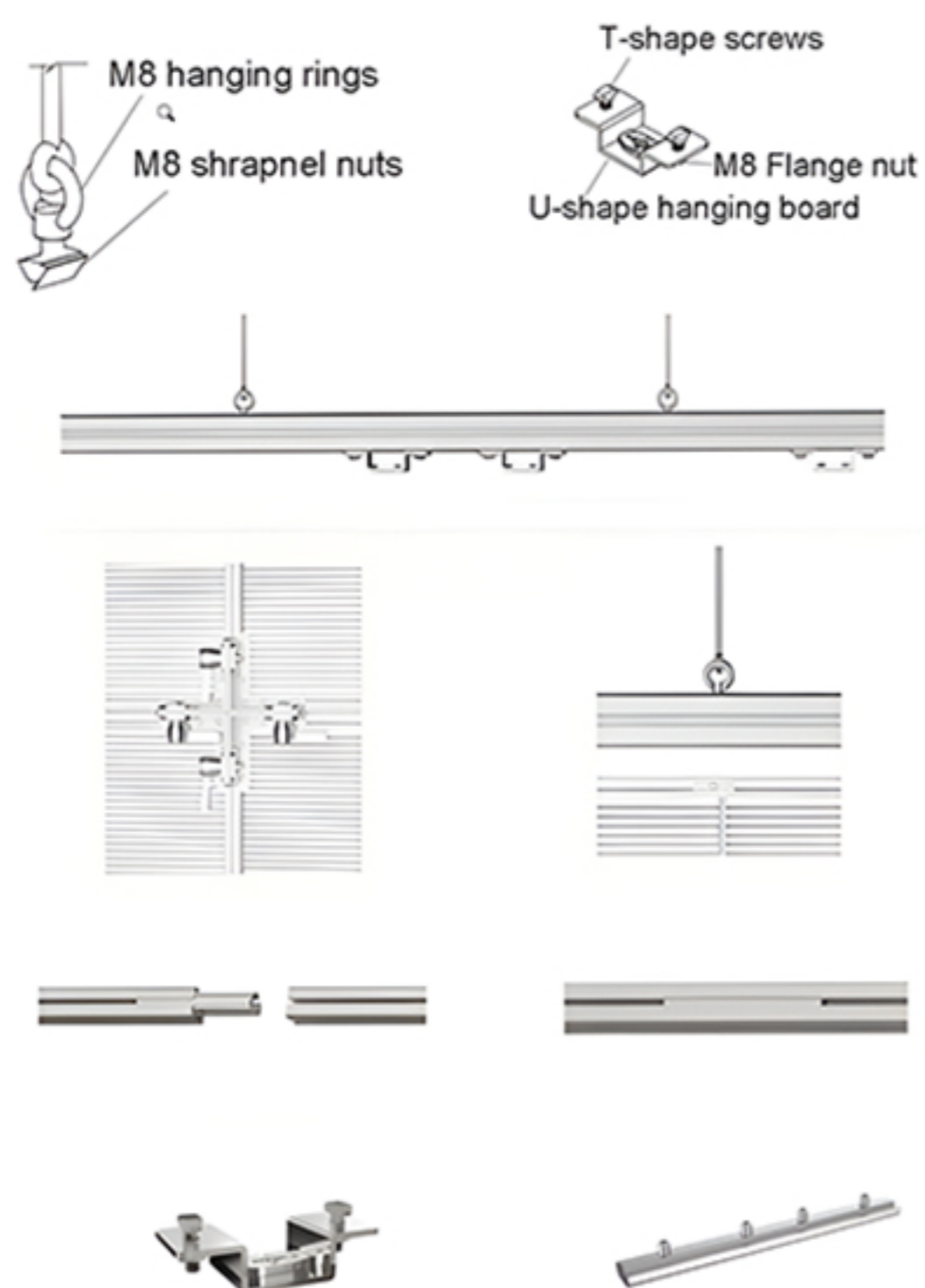
Hanging accessories



Hanging Completed



Hanging accessories



Hanging Completed



► Technical Specifications

Pixel pitch	P2.8-5.6mm	P3.9-7.8mm	P5.2-10.4mm	P3.9-7.8mm	P5.2-10.4mm	P10.4mm
LED Type	SMD2020/SMD19221	SMD2020/SMD1921	SMD1921	SMD1921	SMD2727	SMD2727
Pixel Density(dot/m2)	61952	32768	18432	32768	18432	9216
Module Size (mm)	500 x 125					
Module Resolution (pixels)	176 x 22	128 x 16	96 x 12	128 x 16	96 x 12	48 x 12
Panel Size (mm)	1000 x 1000			1000 x 500		
Panel Resolution (pixels)	176 x 22	128 x 16	96 x 12	128 x 16	96 x 12	48 x 12
Power Consumption (max./avg.)	220W / 680W			240W / 700W		
Material	Die- casting aluminum					
Panel Weight	14.5KG / SQM					
Brightness (nits)	1200 - 4000	800 - 5000	800 - 5000	5000 - 6500		
Grey Level	14 - 16bit					
Transparency Rate	40%	55%	58%	55%	58%	60%
Input(V)	110-220V, 50-60Hz					
Refresh Frequency	3840Hz					
Operating Temperature	-20°C+60°C					
Ingress Protection	IP21			IP65		
Certification	ETL/FCC/CE/CCC					

Shenzhen SoStron Technology Co.,Ltd

Building D, Hongfa Science Park (Yuepeng Road), 2035 Songbai Road, Baoan District, Shenzhen City,China.

Contact us +86 755 2334 3844 info@sostron.com www.sostron.com